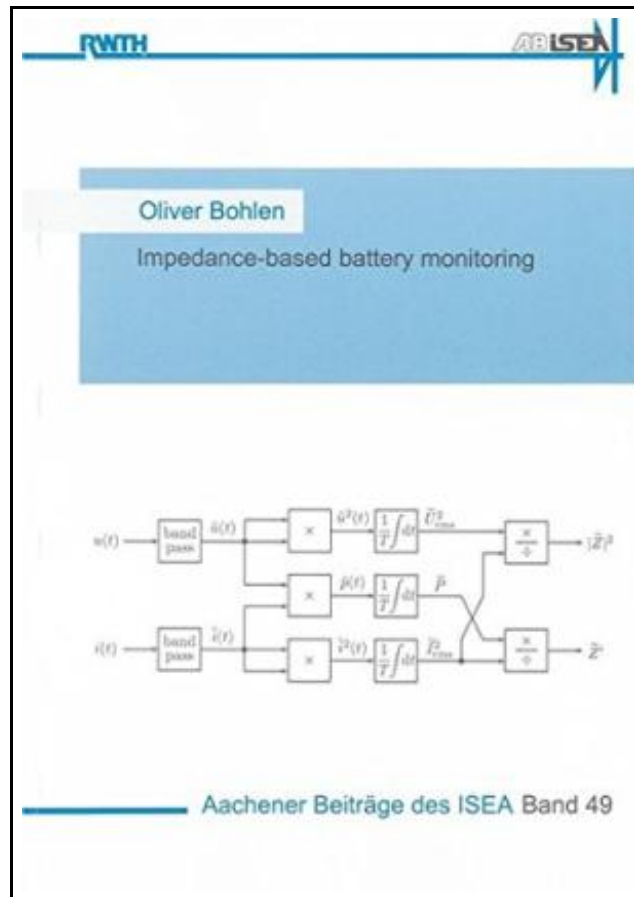


# Impedance-based battery monitoring



Filesize: 5.67 MB

## Reviews

*It is really an amazing pdf which i actually have possibly read. I really could comprehend almost everything using this published e pdf. Its been printed in an remarkably easy way and it is just soon after i finished reading through this book in which in fact changed me, modify the way in my opinion. (Jena Jacobi)*

## IMPEDANCE-BASED BATTERY MONITORING



Shaker Verlag Nov 2008, 2008. Taschenbuch. Book Condition: Neu. 21x14.8x cm. Neuware - This thesis deals with the application of impedance measurements for battery monitoring systems. A robust and efficient measurement procedure has been developed that facilitates impedance measurements in an automotive environment. The measurement is purely passive and uses current fluctuations in the vehicle power grid as a signal source. By that means, the momentary state of the storage system can be measured during normal operation. This method is complemented by selfadapting characteristic maps, allowing the description of the battery characteristic in the complete operating range even in the presence of ageing effects. The application of the passive impedance measurement technique for battery monitoring is discussed in detail for two examples: the monitoring of ageing effects of double layer capacitors and the cranking capability prognosis of lead-acid batteries. Based on the modelling of the storage systems by impedance models, the key parameters are identified and their dependency on ageing processes is analysed. The monitoring and prognosis procedures derived from this analysis have been implemented both in a simulation environment and on a microcontroller-based measurement system and were tested experimentally. 198 pp. Englisch.



[Read Impedance-based battery monitoring Online](#)



[Download PDF Impedance-based battery monitoring](#)

## See Also

---



### **Psychologisches Testverfahren**

Reference Series Books LLC Nov 2011, 2011. Taschenbuch. Book Condition: Neu. 249x191x7 mm. This item is printed on demand - Print on Demand Neuware - Quelle: Wikipedia. Seiten: 100. Kapitel: Myers-Briggs-Typindikator, Keirsey Temperament Sorter, DISG,...

[Save Document »](#)

---



### **Programming in D**

Ali Cehreli Dez 2015, 2015. Buch. Book Condition: Neu. 264x182x53 mm. This item is printed on demand - Print on Demand Neuware - The main aim of this book is to teach D to readers...

[Save Document »](#)

---



### **Rumpelstiltskin - Read it Yourself with Ladybird: Level 2**

Penguin Books Ltd. Paperback. Book Condition: new. BRAND NEW, Rumpelstiltskin - Read it Yourself with Ladybird: Level 2, In this classic fairy tale, a miller's daughter has to spin straw into gold for the king....

[Save Document »](#)

---



### **Adobe Indesign CS/Cs2 Breakthroughs**

Peachpit Press, 2005. Softcover. Book Condition: Neu. Gebraucht - Sehr gut Unbenutzt. Schnelle Lieferung, Kartonverpackung. Abzugsfähige Rechnung. Bei Mehrfachbestellung werden die Versandkosten anteilig erstattet. - Adobe InDesign is taking the publishing world by storm and...

[Save Document »](#)

---



### **Davenport s Maryland Wills and Estate Planning Legal Forms**

Createspace, United States, 2015. Paperback. Book Condition: New. 279 x 216 mm. Language: English . Brand New Book \*\*\*\*\* Print on Demand \*\*\*\*\*.This book written by attorneys and published by Davenport Press provides a quick...

[Save Document »](#)